

NOTES

NOTE: THESE NOTES APPLY EXCEPT WHERE OTHERWISE NOTED ON THE DRAWING OR IN THE SPECIFICATION

- DO NOT SCALE, USE GIVEN DIMENSIONS

LEGEND

- SURFACE WATER DRAINAGE
- SURFACE WATER MANHOLE
- SURFACE WATER GULLY
- SOAKAWAY - TO COMPLY WITH BRE DIGEST 365

SURFACE WATER

- THE SPECIFICATION FOR SURFACE WATER DRAINAGE WORKS SHALL BE THE TII SPECIFICATION FOR ROADWORKS UNLESS OTHERWISE NOTED
- ALL SURFACE WATER DRAINS AND SEWERS TO BE CONSTRUCTED IN ACCORDANCE WITH DETAIL D1
- DISCHARGE PIPES FROM GULLIES TO DRAINS AND SEWERS SHALL BE 150mm DIA. SADDLE CONNECTION FOR DISCHARGE PIPES IN ACCORDANCE WITH DETAIL 2
- CHAMBERS TO BE 1200mm DIA. PCC TYPE C IN ACCORDANCE WITH TII DETAIL CC-SCD-00504
- ROAD GULLIES SHALL BE IN ACCORDANCE WITH TII DETAIL CC-SCD-00510 AND CC-SCD-00512

REV.	DATE	DESCRIPTION	APPR.
A	22/02/24	DRAFT ISSUE	DM

THE COPYRIGHT OF THIS DRAWING IS THE PROPERTY OF CARROLL & BROWNE CONSULTANTS AND THE DRAWING MAY NOT BE REPRODUCED IN WHOLE OR IN PART, IN ANY FORM WHETHER BY PHOTOGRAPH, PHOTOCOPYING OR REPRODUCTION AS A THREE DIMENSIONAL ARTICLE WITHOUT THE WRITTEN PERMISSION OF CARROLL & BROWNE CONSULTANTS

Carroll & Browne Consultants
 Design and Management
 10 The Square,
 Kilcock,
 Co. Kildare.
 Tel: +353-(0)1-460-2977
 Email: info@carrollbrowne.com

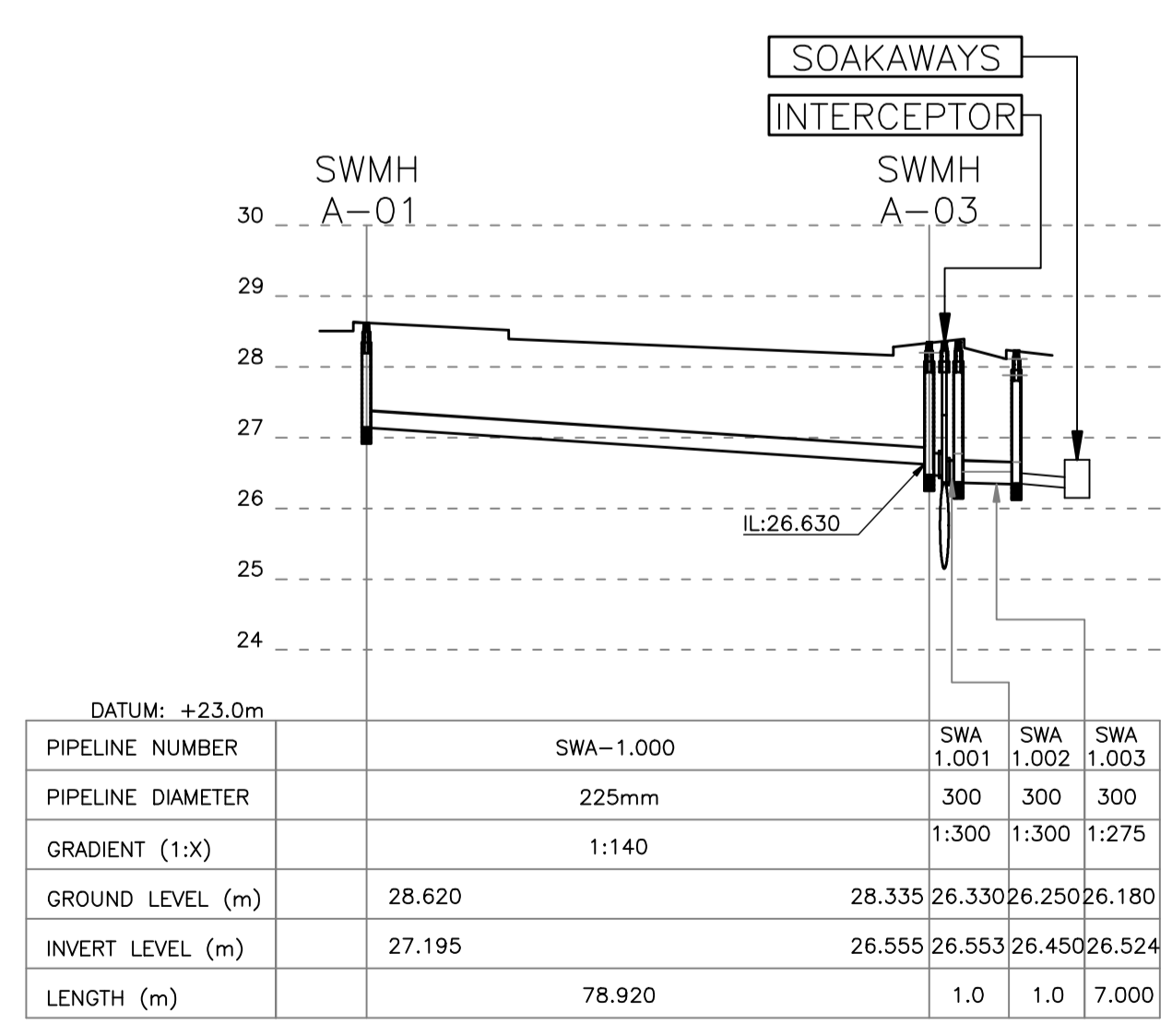
BAM CONTRACTORS
 KILL
 CO. KILDARE

WICKLOW COUNTY COUNCIL
 COUNTY BUILDINGS
 WHITEGATES
 WICKLOW TOWN

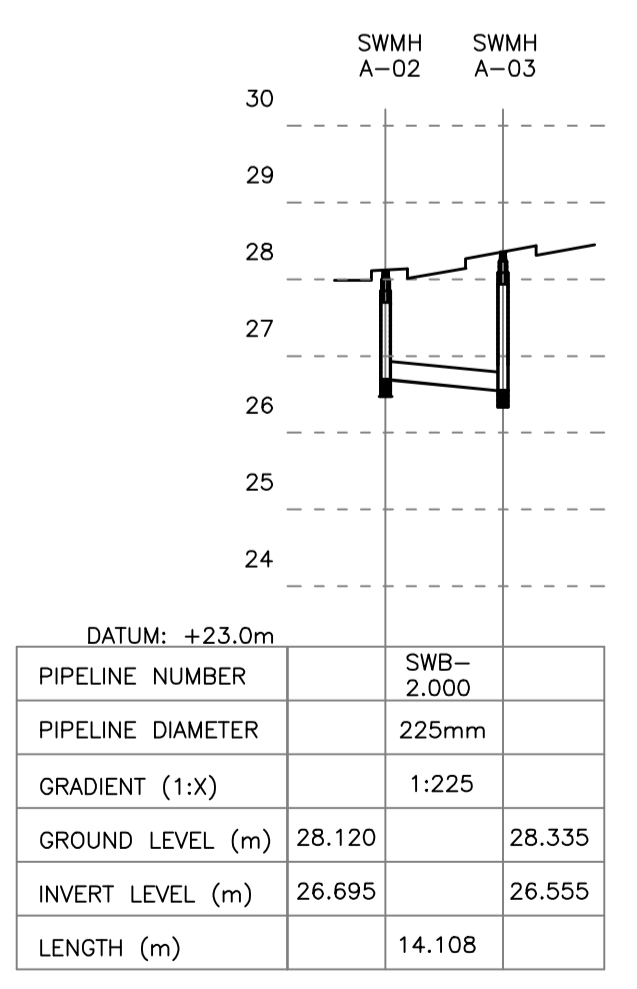
JOB TITLE: M11/ R772 WICKLOW
 PROPOSED WEIGHBRIDGE FACILITY
 DRAWING TITLE PART 8 PLANNING & DEVELOPMENT
 PROPOSED SURFACE WATER DETAILS

DRAWN	DM	JOB NO.	1459	REV. A
CHECKED	GB	STATUS	PLANNING	
APPROVED	GB	DRAWING NUMBER.	1459-P-204	
SCALE	AS SHOWN	DATE	11/01/24	

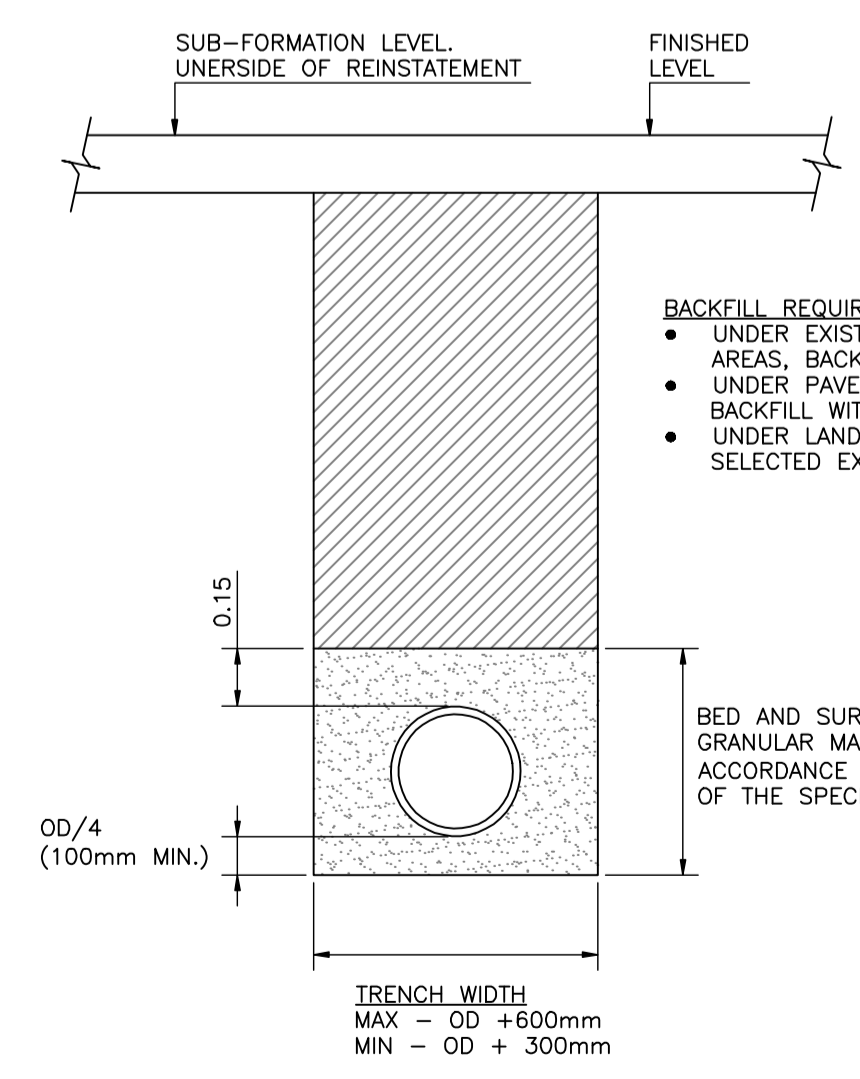
Original Drawing Size : 594 x 841 - A1



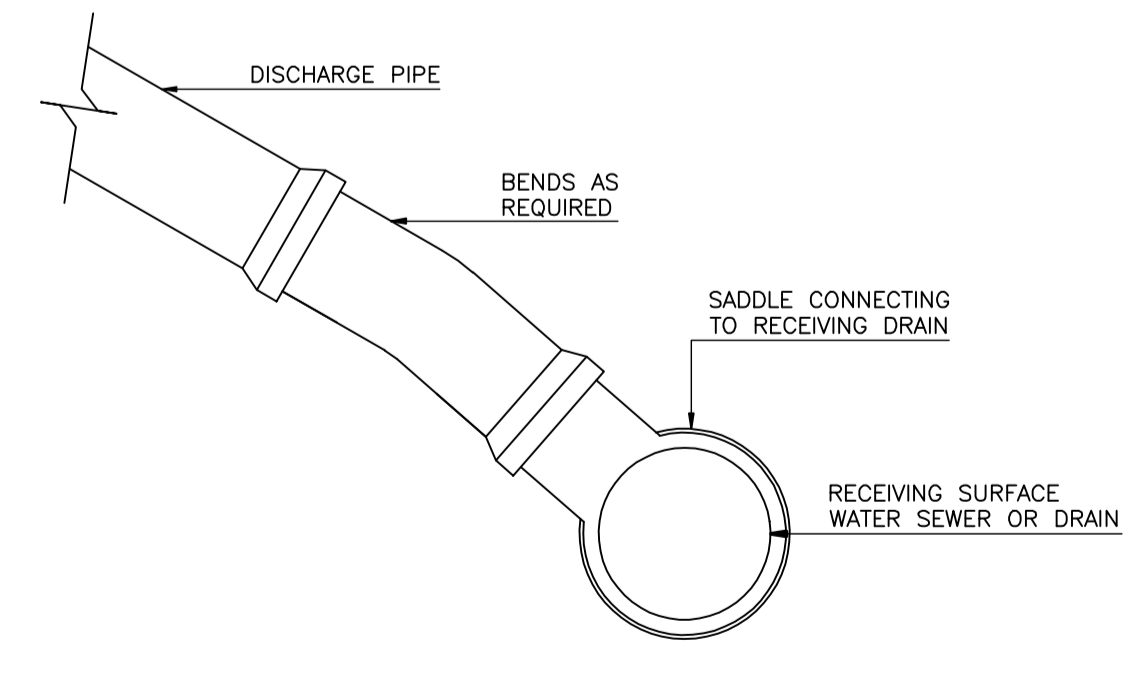
DRAINAGE RUN A-1
 SCALE 1:1000



DRAINAGE RUN A-2
 SCALE 1:1000



DETAIL 1
 SCALE 1:20



DETAIL 2
 SCALE 1:10